

Product Specification of:

O₂ - Medical Sensor

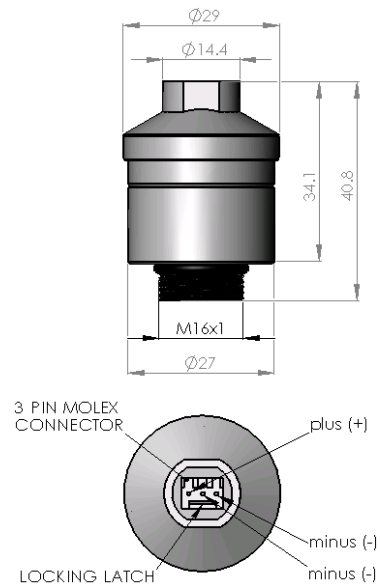
Type: SS-12CC

Part. No.:

Key Features: Cell characterized by high signal stability at low cross interferences to anesthesia gases and a superior linearity over the entire measurement range.

All characteristics are based on conditions at 25°C, 50% RH and 1013 hPa

Electrical Connector:	3-pin Molex
Measurement Range:	0 to 100 Vol. %
Nominal Sensor Life:	> 500, 000 Vol. % h
Expected Operating Life:	< 3 years @ ambient air
Output Signal:	8.0 to 12.5 mV @ dry ambient air
Response Time t_{90} :	< 5 s
Drift:	< 1% volume O ₂ / month @ air
Operating Temperature:	0 to 40°C
Pressure Range:	750 to 1250 hPa
Linearity Error:	< 3% @ 100% O ₂ applied for 5 min
Zero Offset Voltage:	≤ 200 μV in 100% N ₂ , applied for 5 min
Repeatability:	± 1 % volume O ₂ @ 100% O ₂ , applied for 5 min
Influence of Humidity:	-0.03% rel. O ₂ reading per % RH
Recommended Load Resistor:	≥ 10 kOhm
Temperature Compensation:	NTC
Interferences:	according to DIN EN 12598 and ISO 7767



Tolerance: ± 0.15 mm

Storage Conditions

Temperature Range:	recommended: 5 to 30°C
	maximum: - 20 to 50°C
Humidity:	up to 100% RH
Shelf Life:	< 6 months
Weight:	approximately 24 g
Material in Contact with Media:	PA, PPS, PTFE, stainless steel
Warranty Period:	12 months
Housing Colour:	white