

Sensoronics

DEVICE OPERATING SPECIFICATIONS

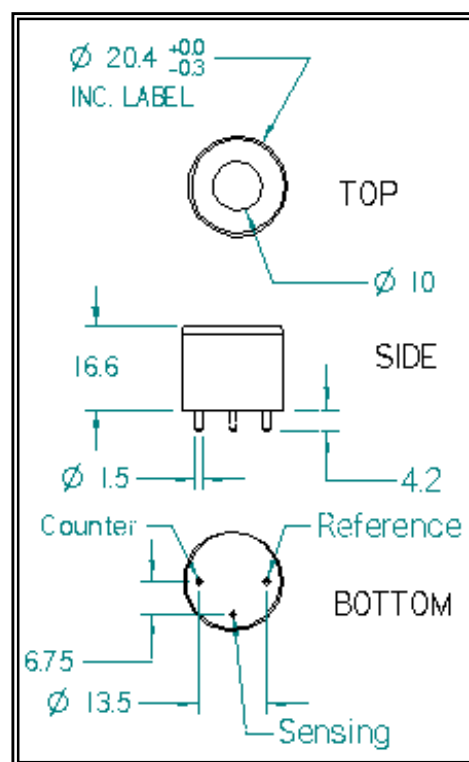
Description: Carbon Monoxide, Filtered

Specification No.: SS-40CO/F

Direct Replacement for: CiTicel 4CF

Operating Parameters

Nominal Range:	0 - 500 ppm
Maximum Overload:	1500 ppm
Expected Operating Life:	24 months in air
Output:	$0.07 \pm 0.015 \mu\text{A/ppm}$
Inboard Filter:	to remove TLV levels of interfering gasses.
Resolution:	1 ppm
Temperature Range:	-20°C to $+50^{\circ}\text{C}$
Pressure Range:	Atmospheric $\pm 10\%$
T95 Response Time:	≤ 25 seconds
Relative Humidity Range:	15 to 90 % non condensing
Typical Baseline Range:	-1 to +3 ppm equivalent (pure air)
Maximum Zero Shift:	9 ppm equivalent ($+20^{\circ}\text{C}$ to $+40^{\circ}\text{C}$)
Long Term Output Drift:	$< 5\%$ signal loss/month
Recommended Load:	10 Ω
Bias Voltage:	none required
Output Linearity:	Linear



Physical Characteristics

Position Sensitivity:	None
Storage Life:	6 months in container
Storage Temperature:	$0 - 20^{\circ}\text{C}$
Warranty:	24 months from date of shipment

Revision: C
CO: 520
Date: 10/31/01

Approved By: _____

Form F4.5-5 Rev: A