

# Sensoronics

## DEVICE OPERATING SPECIFICATIONS

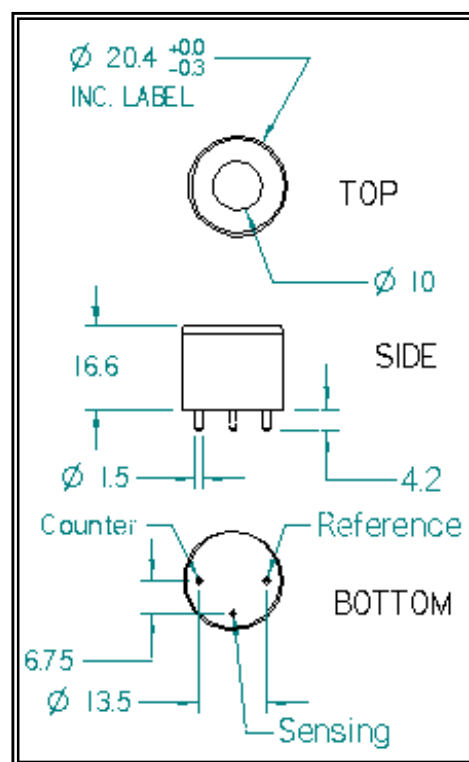
**Description:** Hydrogen Sulphide Sensor, Standard

Specification No.: SS-40H2S

Direct Replacement for: CiTicel 4HS

### Operating Parameters

Nominal Range:	0 - 100 ppm
Maximum Overload:	500 ppm
Expected Operating Life:	24 months in air
Output:	$0.70 \pm 0.15 \mu\text{A/ppm}$
Resolution:	0.1 ppm
Temperature Range:	$-40^{\circ}\text{C}$ to $+50^{\circ}\text{C}$
Pressure Range:	Atmospheric $\pm 10\%$
T90 Response Time:	$\leq 30$ seconds
Relative Humidity Range:	15 to 90 % non condensing
Typical Baseline Range:	0 to $+0.4$ ppm equivalent (pure air)
Maximum Zero Shift:	$< 0.2$ ppm equivalent ( $+20^{\circ}\text{C}$ to $+40^{\circ}\text{C}$ )
Long Term Output Drift:	$< 2\%$ signal loss/month
Recommended Load:	$10 \Omega$
Bias Voltage:	none required
Output Linearity:	Linear



### Physical Characteristics

Position Sensitivity:	None
Storage Life:	6 months in container
Storage Temperature:	$0 - 20^{\circ}\text{C}$
Warranty:	24 months from date of shipment

Revision: C  
CO: 520  
Date: 10-31-01

Approved By: \_\_\_\_\_

Form F4.5-5 Rev: A

**Sensoronics, Inc. 23811 Washington Ave. Suite C110375 Murrieta, CA 92562**  
**Phone +1-951-677-0816 Fax +1-951-677-0136 E-Mail [pactec@msn.com](mailto:pactec@msn.com)**  
**Website: [www.sensoronics.com](http://www.sensoronics.com)**