

Sensoronics

DEVICE OPERATING SPECIFICATIONS

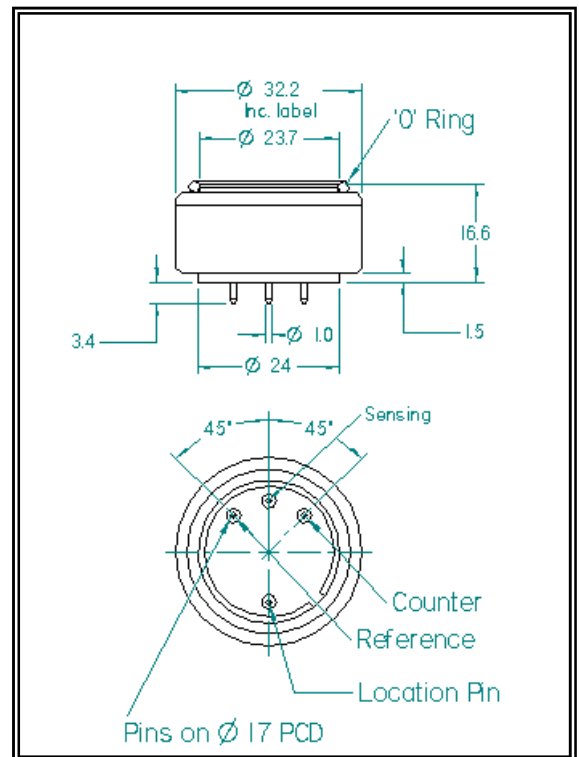
Description: Hydrogen Sulphide

Specification No.: SS-70H2S

Direct Replacement for: CiTicel 7H

Operating Parameters

Nominal Range:	0 - 200 ppm
Maximum Overload:	1000 ppm
Expected Operating Life:	24 months in air
Output:	$0.37 \pm 0.07 \mu\text{A/ppm}$
Resolution:	0.25 ppm
Temperature Range:	-40°C to $+50^{\circ}\text{C}$
Pressure Range:	Atmospheric $\pm 10\%$
T90 Response Time:	≤ 35 seconds
Relative Humidity Range:	15 to 90 % non condensing
Typical Baseline Range:	-0.6 to +1.9 ppm equivalent (pure air)
Maximum Zero Shift:	2 ppm equivalent ($+20^{\circ}\text{C}$ to $+40^{\circ}\text{C}$)
Long Term Output Drift:	$< 2\%$ signal loss/month
Recommended Load:	10 Ω
Bias Voltage:	none required
Output Linearity:	Linear



Physical Characteristics

Position Sensitivity:	None
Storage Life:	6 months in container
Storage Temperature:	$0 - 20^{\circ}\text{C}$
Warranty:	24 months from date of shipment

Revision: B
CO: 520
Date: 10-31-01

Approved By: _____

Form F4.5-5 Rev: A

Sensoronics, Inc. 23811 Washington Ave. Suite C110375 Murrieta, CA 92562
Phone +1-951-677-0816 Fax +1-951-677-0136 E-Mail pactec@msn.com
Website: www.sensoronics.com