

Sensoronics

DEVICE OPERATING SPECIFICATIONS

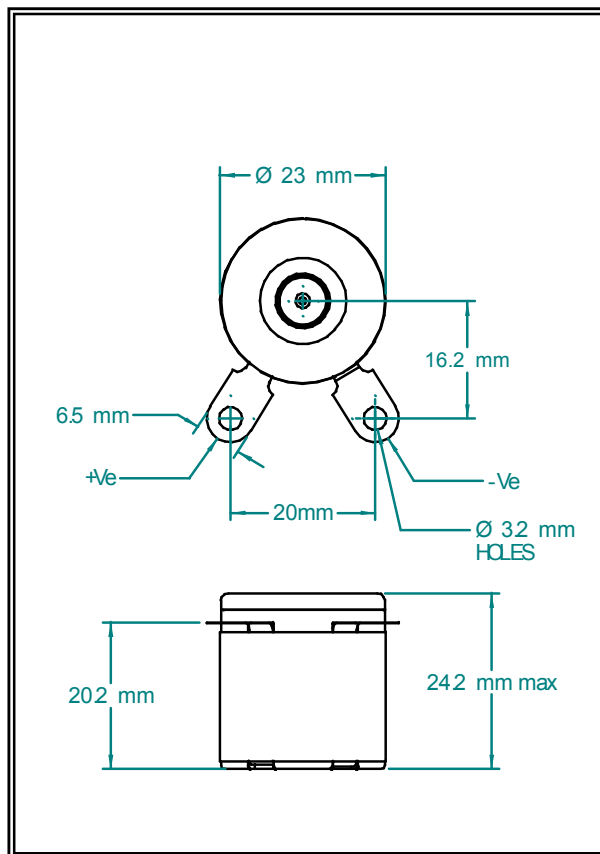
Description: Oxygen Sensor

Specification No.: SS-C/2

Direct Replacement for: | City C/2
| Alphasense O2-E1

Operating Parameters

Nominal Range:	0 - 25% Oxygen
Maximum Overload:	30 % Oxygen
Expected operating life:	12 months in Air
Output Signal:	0.42 ± 0.06 mA in Air
T ₉₅ Response Time:	≤10 seconds
Temperature Range:	-20 ⁰ C to +50 ⁰ C
Temperature Coefficient:	0.2% signal/ ⁰ C
Pressure Range:	Atmospheric ± 10 %
Pressure Coefficient:	0.01% signal/mBar
Operating Humidity:	0 to 99% RH non-condensing
Long Term Output Drift:	<5 % signal loss per year
Recommended Load:	47 or 100 Ω



Physical Characteristics

Position Sensitivity:	None
Storage Life:	6 months in container
Storage Temperature:	0 - 20 ⁰ C
Warranty:	12 months from date of shipment

Revision A
CO: 520
Effective: 10-31-01 Approved _____

Form F4.5-5 Rev A

Sensoronics, Inc. 23811 Washington Ave. Suite C110375 Murrieta, CA 92562
Phone +1-951-677-0816 Fax +1-951-677-0136 E-Mail pactec@msn.com
Website: www.sensoronics.com